

Summer Screen Fitting Instructions - Bonneville America



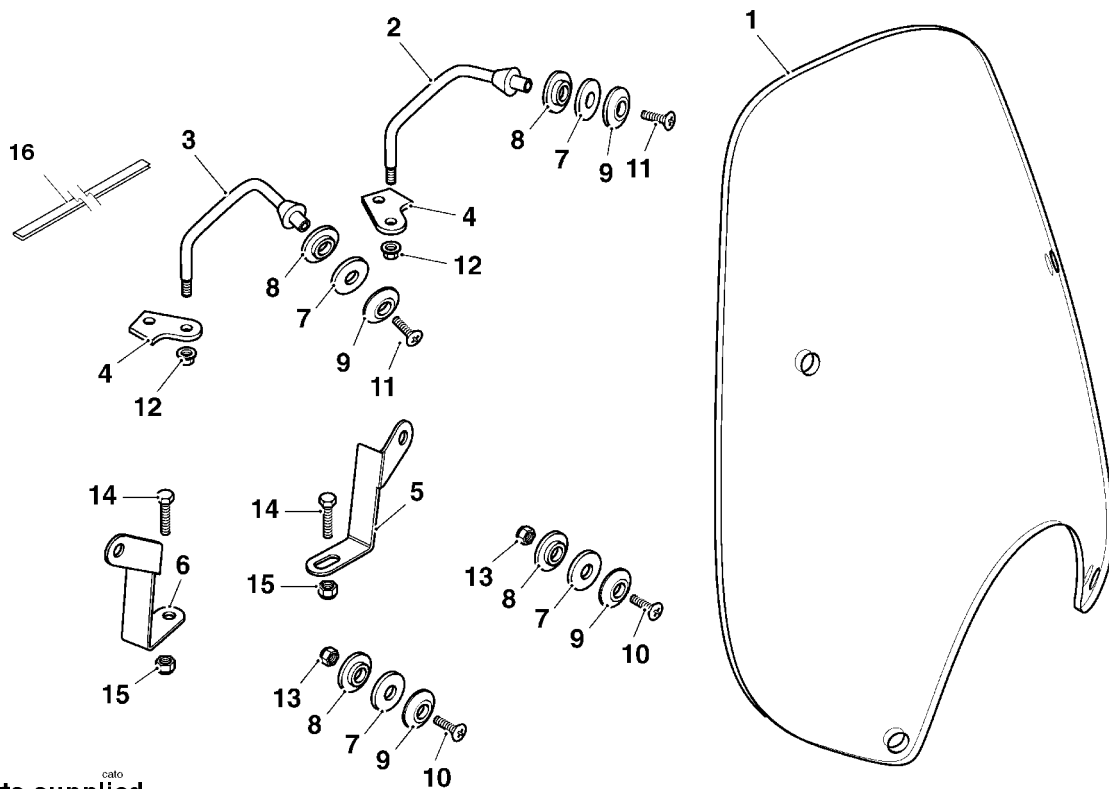
WARNING: Always have Triumph approved parts, accessories and conversions fitted by a trained technician of an authorised Triumph dealer. The fitting of parts, accessories and conversions by a technician who is not of an authorised Triumph dealer may affect the handling, stability or other aspects of the motorcycle operation which may result in an accident causing injury or death.

WARNING: This summer screen is designed for use solely on the Triumph Bonneville America and should not be fitted to any other Triumph model or to any motorcycle of other manufacturers. Fitting this summer screen to any other Triumph model or to any motorcycle of other manufacturers may interfere with the rider and could affect the stability and handling of the motorcycle leading to an accident causing injury or death.

WARNING: Throughout this operation, ensure that the motorcycle is stabilised and adequately supported to prevent the risk of injury from the motorcycle falling.



NOTE: This label is attached to the windscreen. It warns that reference should be made to these fitting instructions for details of the cleaning and maintenance of the windscreen. Always store these instructions in a position which allows immediate reference.



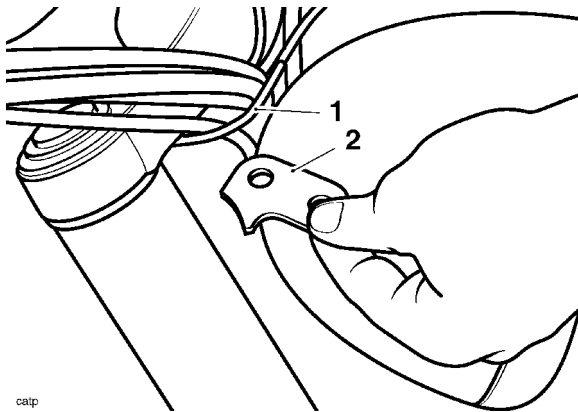
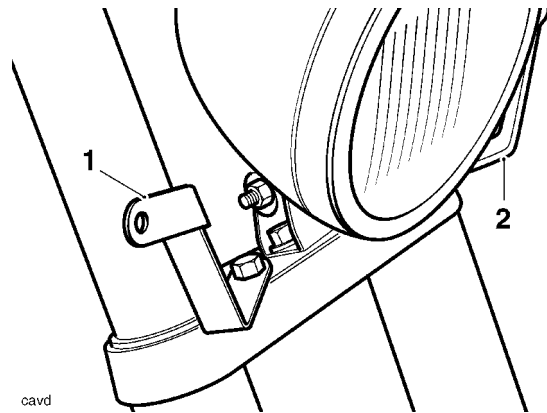
Parts supplied

Item	Description	Qty	Item	Description	Qty
1	Screen	1	9	Finishing washers	4
2	Upright (left-hand)	1	10	Screws (long)	2
3	Upright (right-hand)	1	11	Screws (short)	2
4	Upper yoke bracket	2	12	Locknuts (large)	2
5	Lower yoke bracket (LH)	1	13	Locknuts (small)	2
6	Lower yoke bracket (RH)	1	14	M8 bolts	2
7	Foam washers	4	15	M8 locknuts	2
8	Rubber bushes	4	16	Trim	1

Summer Screen Fitting Instructions - Bonneville America

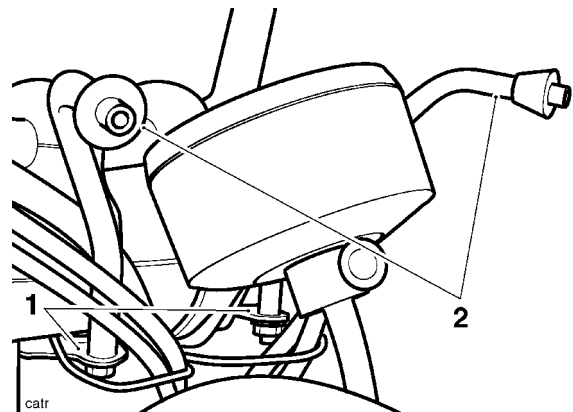


1. Disconnect the battery, negative (black) lead first.
2. Slacken and remove the two M8 bolts securing the cable guide to the underside of the top yoke. Leave the guide in position.
3. Fit the top yoke brackets to the underside of the top yoke with the cable guide located above the bracket. Secure the assembly using the cable guide screws, to **20 Nm.**, Ensure the cables retained by the cable guide maintain a smooth run and do not become trapped.



1. **Cable guide**
2. **Top yoke brackets**
4. Fit the lower mounting brackets to the top of the lower yoke using the M8 bolts and locknuts. Do not tighten at this stage.

1. **Right-hand lower mounting bracket**
2. **Left-hand mounting bracket**
5. Fit the left-hand (marked LH) and right-hand (marked RH) uprights to the top yoke bracket. Fit the large locknuts to the uprights. Do not tighten at this stage.

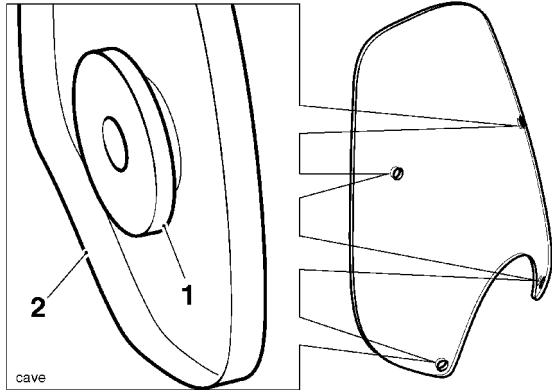


1. **Uprights**

Summer Screen Fitting Instructions - Bonneville America

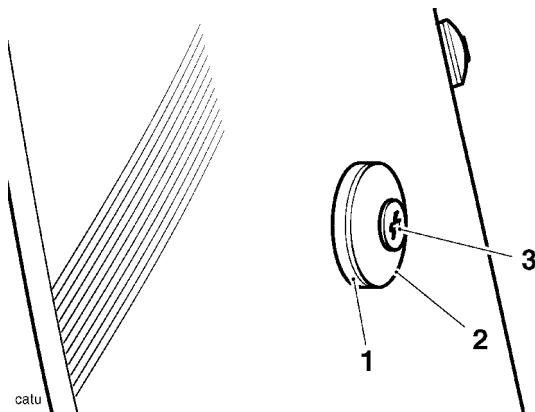


6. Fit the rubber bush to the inside of the screen.



1. Rubber bush
2. Screen

7. Manoeuvre the screen into position and locate it on the uprights.
8. Secure the screen to each upright using a short screw, foam washer and finishing washer. Do not tighten at this stage.



1. Foam washer
2. Finishing washer
3. Screw

9. Secure the screen to each bracket with a foam washer, finishing washer and long screw. Fit a small locknut to each screw, do not tighten at this stage.
10. Adjust the screen to ensure a symmetrical fitting when viewed from the front of the bike. Tighten all the fixings to the following torques: upright locknuts **20Nm** and mounting screws to **3Nm**.
11. Fit the edge trim supplied to the perimeter of the screen. Start and end at the lower fixing points on each side. Trim to length as necessary.
12. Reconnect the battery, positive (red) terminal first.

NOTE: Always clean the windscreen with clean water and a soft cloth. Dry after cleaning with a soft, lint free cloth. Minor scratches can be removed using a commercial polishing compound suitable for plastic. The windscreen must be replaced if scratches cannot be removed.



WARNING: Never ride an accessory equipped motorcycle (including those fitted with Triumph approved windscreens and luggage systems) at speeds above 130km/h (80mph). The presence of accessories such as windscreens and luggage systems will cause changes in the stability and handling of the motorcycle. The presence of accessories such as windscreens and luggage systems will cause changes in the stability and handling of the motorcycle. Failure to allow for changes in motorcycle stability may lead to loss of control or an accident. Remember that the 130km/h (80mph) limit will be reduced by the fitting of non-approved accessories, incorrect loading, worn tyres, overall motorcycle condition and poor road or weather conditions.



WARNING: The motorcycle must not be operated above the legal road speed limit except in closed course conditions.



WARNING: Never attempt to clean or adjust the windscreen whilst riding the motorcycle. Removal of the rider's hands from the handlebars whilst riding the motorcycle will diminish the ability of the rider to maintain control of the motorcycle. Attempting to clean or adjust the windscreen whilst riding the motorcycle may result in loss of control of the motorcycle leading to an accident resulting in injury or death.



WARNING: After fitting the windscreen the motorcycle will exhibit new handling characteristics. Operate the motorcycle in a safe area free from traffic to gain familiarity with any new handling characteristics. Operation of the motorcycle when not familiar with any new handling characteristics may result in an accident causing injury or death.



WARNING: If, after fitment of the windscreen, there is any doubt as to any aspect of the performance of the motorcycle, contact an authorised Triumph dealer and do not ride the motorcycle until the authorised Triumph dealer has declared it fit for use. Riding a motorcycle when there is any doubt as to any aspect of the performance of the motorcycle may result in loss of control of the motorcycle leading to an accident causing injury or death.



WARNING: The windscreen is not a substitute for a helmet or eye protection. When riding a motorcycle both rider and passenger must always wear a crash helmet, eye protection, gloves and trousers (close fitting around the knee and ankle). Although full protection is not possible, wearing correct protective clothing can reduce the risk of injury when riding. Failure to wear correct protective clothing when riding a motorcycle may result in an accident causing injury or death.



WARNING: Windscreens are designed to provide wind protection and increased riding comfort. They are not designed to provide protection in the event of a collision with another vehicle, the road, birds or any other object. When riding a motorcycle both rider and passenger must always wear a crash helmet, eye protection, gloves and trousers (close fitting around the knee and ankle). Although full protection is not possible, wearing correct protective clothing can reduce the risk of injury when riding. Failure to wear the correct protective clothing when riding a motorcycle may result in an accident causing injury or death.



WARNING: Failure to tighten any of the fasteners to the correct torque specification may result in an accident causing injury or death.



CAUTION: Chemicals such as battery electrolyte, solvents and brake fluid will damage the windscreen. Never allow such chemicals to contact the windscreen.